

ARTIFEX

New: Closing hooks in stainless steel 316

New: Closing hooks in stainless steel 316



Artifex beta
USER MANUAL

Dear Customer, thank you!

you made a great choice shopping with us. Thank you for your purchase. We truly care about our customer. If you have any issue at all with your device, we all work with you until you'll be happy. Please contact us at:

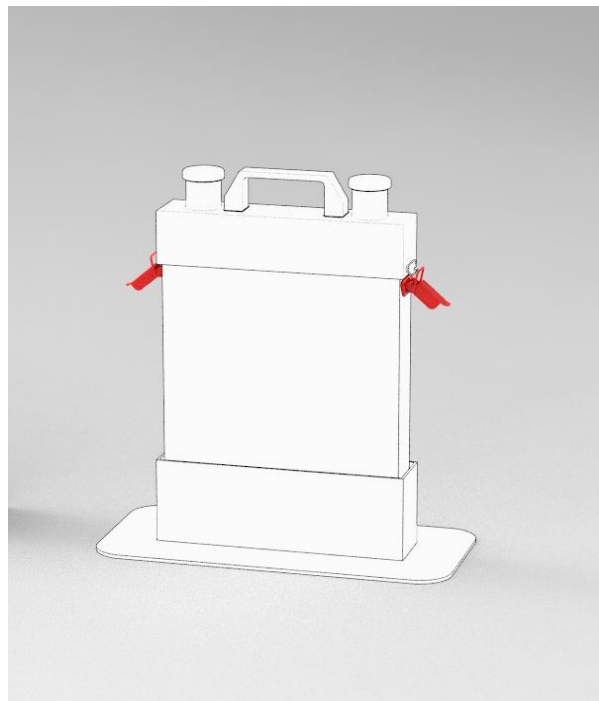
Your Artifex Beta model has been mainly designed for the 8"x10" sheets film and also for 4"x5" by using a dedicated accessory.

Our main idea was to design a easy to use tool, sturdy and absolutely safe for processing your images, but we also worried about the environment.

It can be used for developing until six film sheet with only 2,2 litres of developer, and in case you'll need to develop less than six sheets, we had the idea to design the filler, it reduces the inner volume from 2,2 litres down to just 1,4 litre, by using two of them for two film sheets.

The following is a list of suggestions for the best use.

010 Open the two hooks at the narrow sides of the tank



020 Take off the top (tank part A)



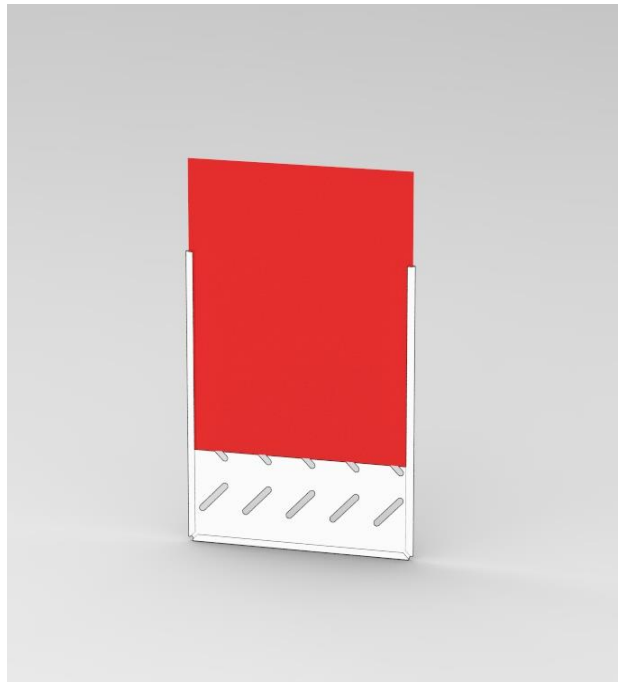
030 now you can see the six film holders.



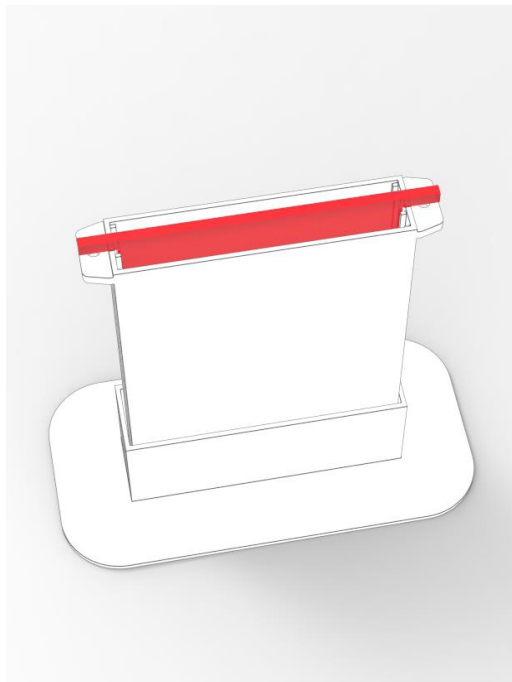
045 Take them off

055 Place the tank (tank part B) inside the dedicated base (optional) for working in the best and safety way.

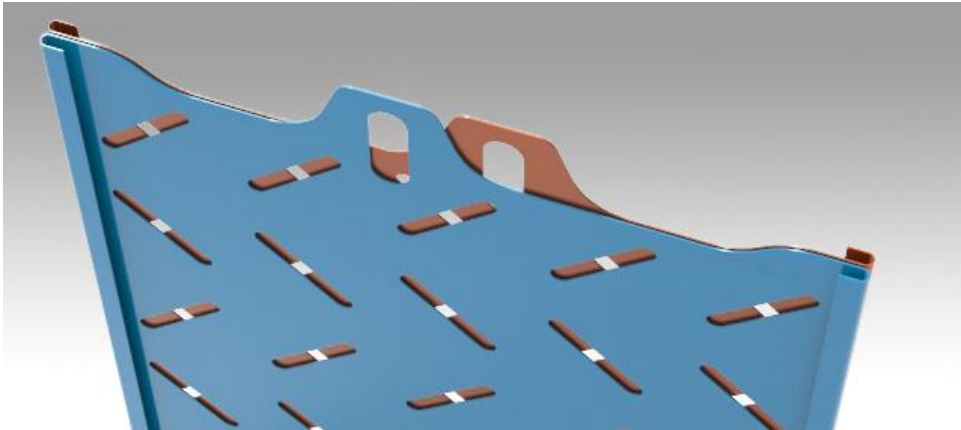
060 In total dark, insert one exposed film in any film holder with the sensitized side facing the outside, then insert it in one of the three guides



070 It's advisable to place the film holders inside one external guide first, and also to use the guide-lock during this operation.



- 072 Any couple of frames must be positioned in a single guide .
They will be in contact with the back side

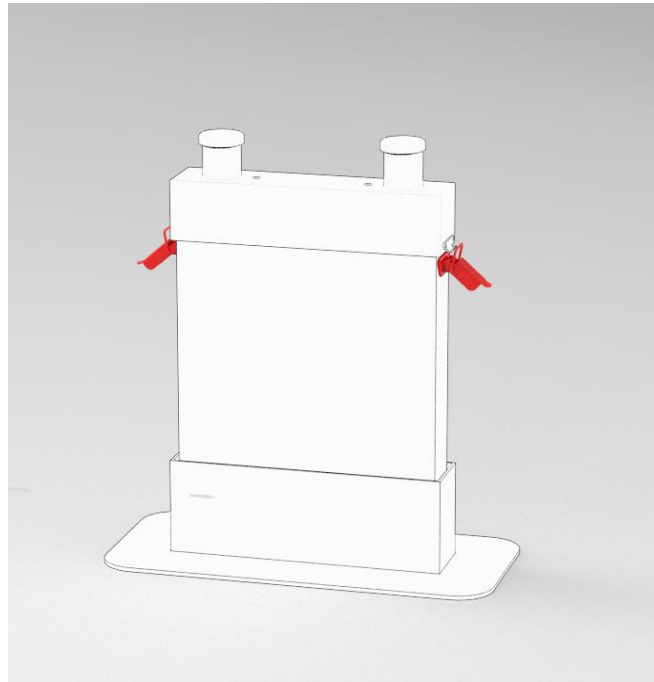


- 075 Do the same for all the film sheets you want to develop
080 Insert the frames inside the lower part of the tank (tank part B)

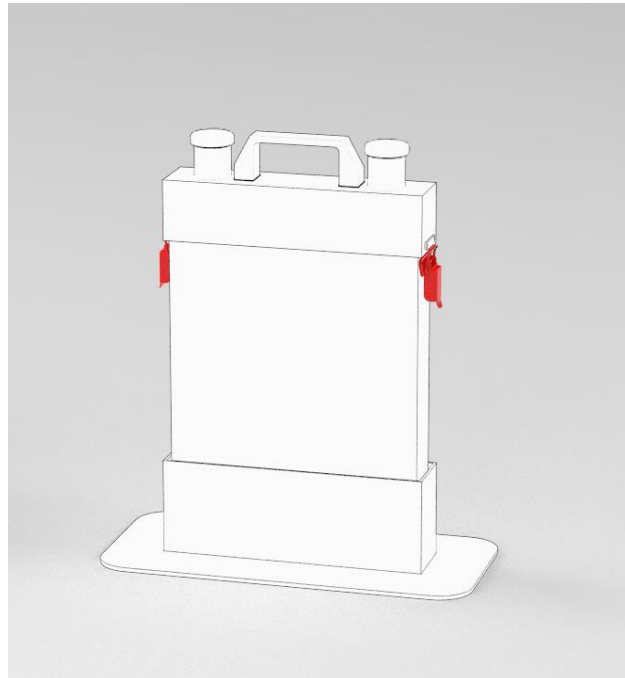


- 085
090 Now you can close the tank by placing the top (tank part A) over the tank part B

092 Close the tank



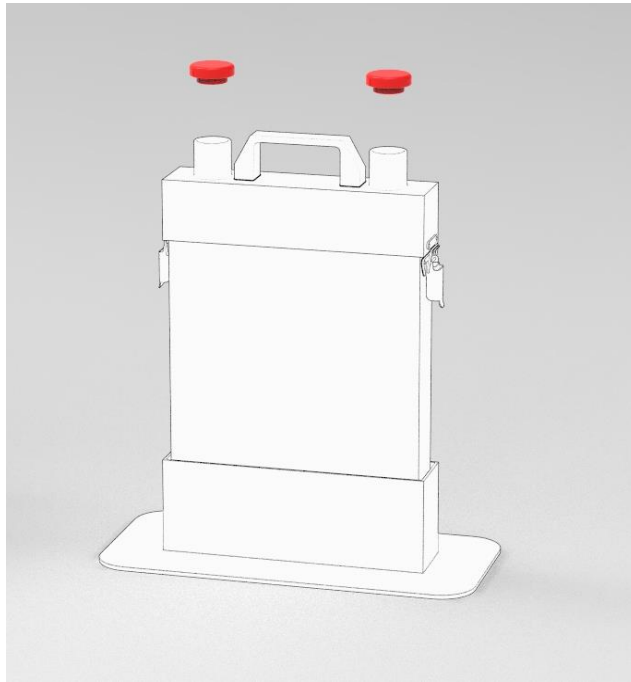
093 Push the hooks leverages for sealing the tank.



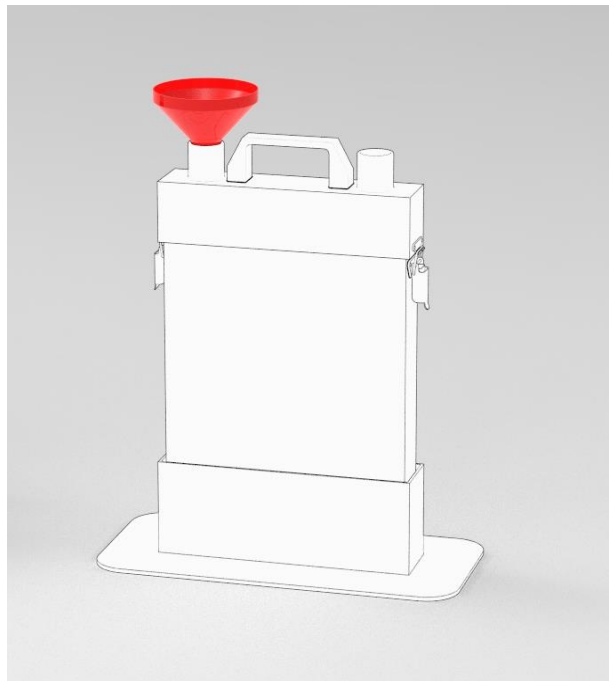
095 Now your tank is ready for use and you can turn on the light.

105 It's advisable a first bath with only water. It must last about 120 seconds.

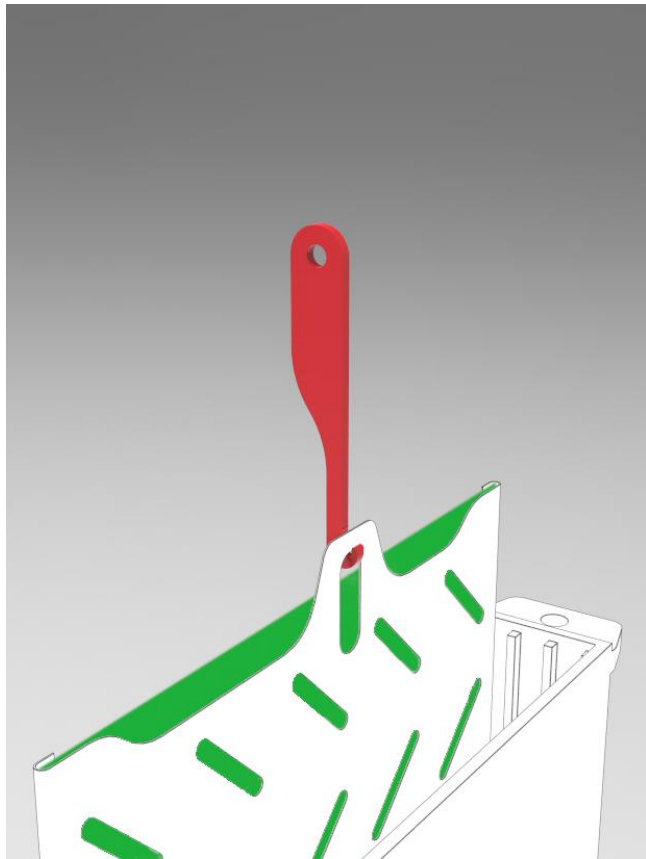
110 Remove the two caps for opening the two inlet/outlet tubes.



- 115 Pour the developer by using a funnel with a suitable diameter and then close them. It's important that OR seals must be always wet when you close the inlet/outlet tubes.

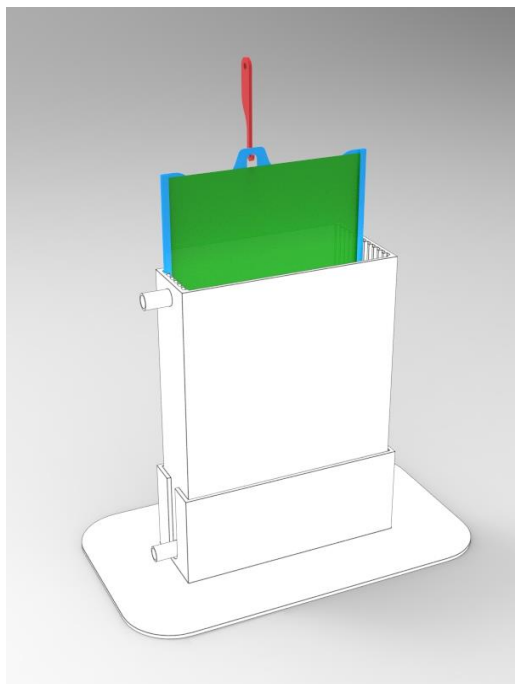


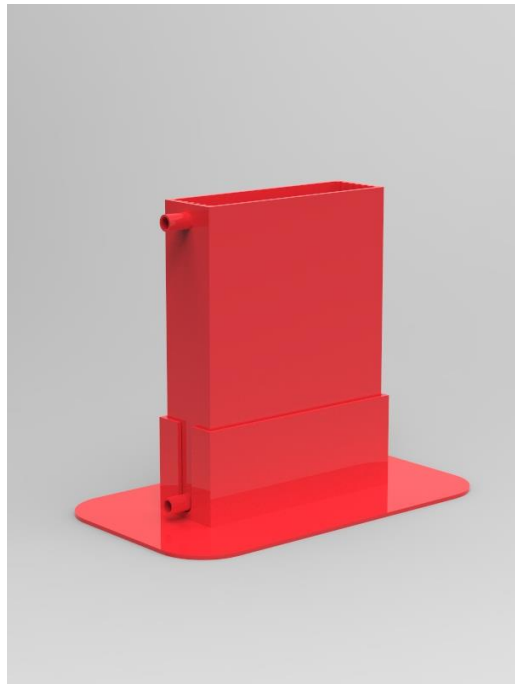
- 120 Follow the desired process based on your desired, film, sensitivity and developer.
- 130 The development is performed with three baths: development, stop and fixer. The last one is washing, using tap water.
- 140
- 150
- 160 Now you can open the tank.
- 170



180 Pull out each frame form the tank by using the hook.

185 Bring them and insert in our washing tank (optional) along the guides.
Washing time is about thirty minutes





The washing tank

200

210 Hook frames again one by one by using our lastic /stainless steel hook and, when it's half in the water, keep the film and slowly, extract each it from the frame.

200

210

220 Wash the tank and all the components before storage

230 Place frames in the dedicated frame dryer (optional).

